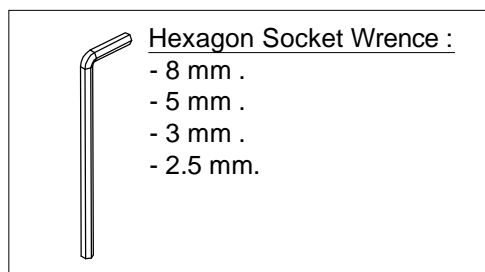
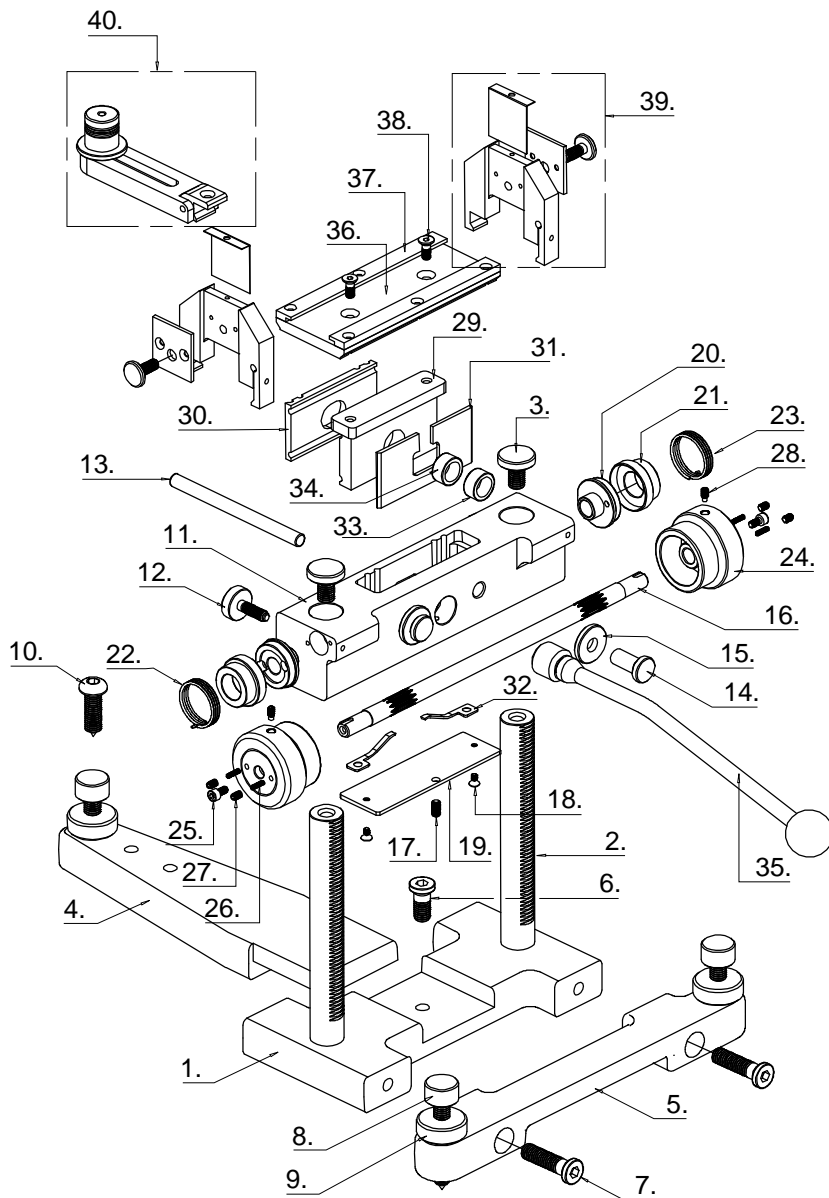


# NEO REST

## EXPLODED DRAWING



| PARTS LIST |   |
|------------|---|
| 1          | Main Base                                 |
| 2          | Rack Gear Post                            |
| 3          | Stopper screw M12                         |
| 4          | Leg 1 ( Long )                            |
| 5          | Leg 2 ( w/ carrying handle )              |
| 6          | Countersunk Screw M 12 x 30               |
| 7          | Countersunk Screw M 12 x 60               |
| 8          | Leveling Screw M12 x 1.75                 |
| 9          | Counter Nut                               |
| 10         | Rear Screw ( extra short )                |
| 11         | Coaxial Body ( Carriage )                 |
| 12         | Stopper Bolt M8                           |
| 13         | Center Shaft                              |
| 14         | Tension Adjustment Screw                  |
| 15         | Locking Nut M12 x 1.0                     |
| 16         | Pinion Shaft                              |
| 17         | Set Screw M6 x 15                         |
| 18         | Countersunk Screw M4 x 10                 |
| 19         | Cover / Bottom Plate                      |
| 20         | Flend ( S/S )                             |
| 21         | Brake Drum ( Bronze )                     |
| 22         | Coupling Spring ( counter clock wise )    |
| 23         | Coupling Spring ( clock wise )            |
| 24         | Hand Wheel                                |
| 25         | Countersunk Screw M 5 x 15                |
| 26         | Compresion Spring $\varnothing$ 4 x 15    |
| 27         | Set Screw M 5 x 10                        |
| 28         | Set Screw M 5 x 10                        |
| 29         | Sliding Plate "X"                         |
| 30         | Sliding Plate "Y"                         |
| 31         | Teflon Sheet                              |
| 32         | Leaf Spring                               |
| 33         | Spherical Plain Bearing Fluro GXSW 10     |
| 34         | Spherical Plain Bearing GE 10C            |
| 35         | Joystick w/ Collet Type Head              |
| 36         | Base Plate                                |
| 37         | Retainer Plate                            |
| 38         | Countersunk Screw M6 x 15                 |
| 39         | Side Plate ( w/ extra tension adjusment ) |
| 40         | Fore End Stopper Set                      |